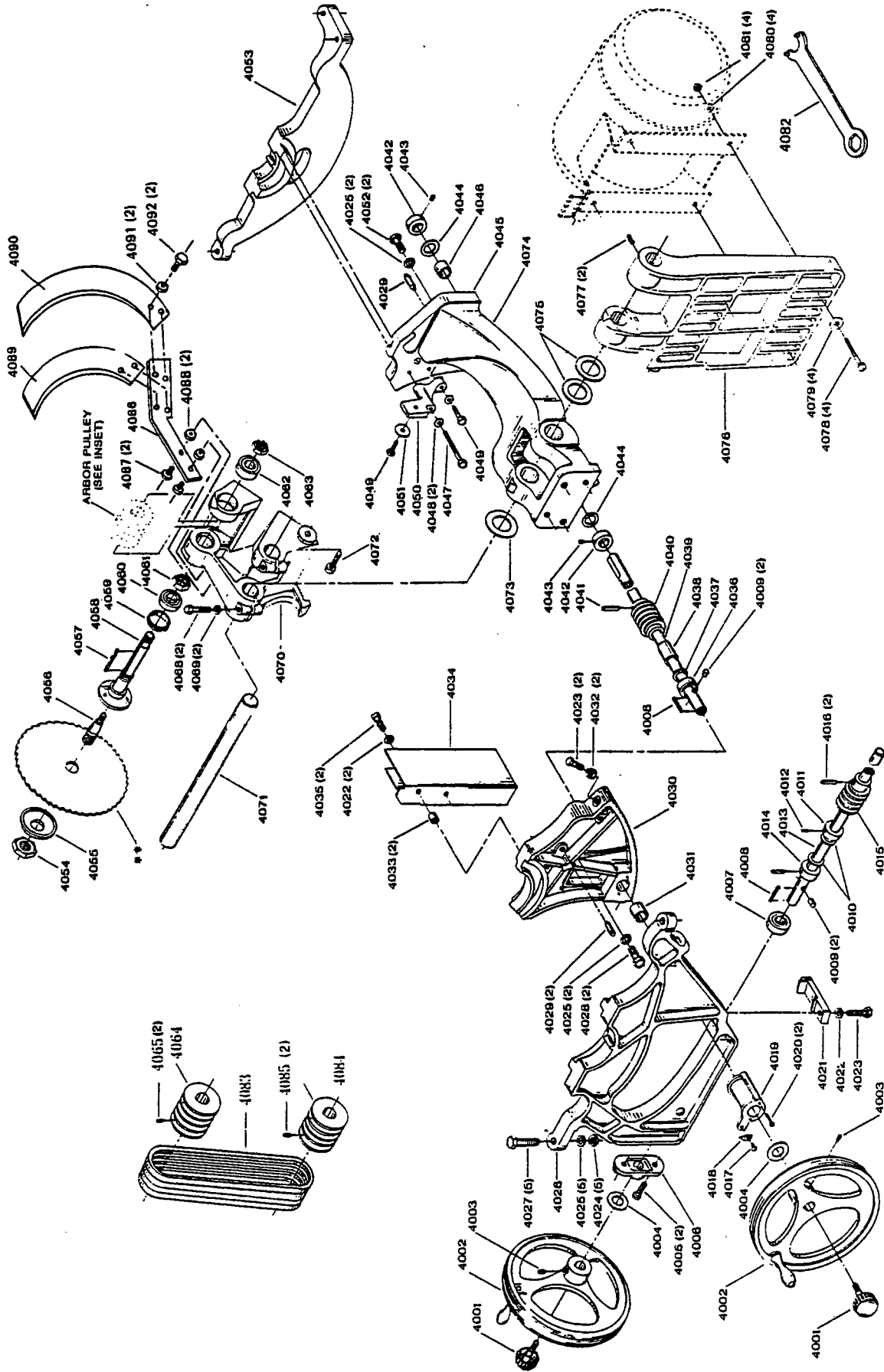


# CTAS-14 TILTING ARBOR TABLE SAW

16

# FILE



# Replacement Parts

Part No.	Description	Part No.	Description
4001	Lock Knob	4047	5/16-18 X 2-3/4" Hex Hd. Scr.
4002	Handwheel, Incl: 6003	4048	11/32 X 11/16 X 1/16" Washer
4003	8 X 10mm Soc. Set Scr.	4049	5/16-18 X 3/4" Hex Hd. Scr.
4004	Fiber Washer	4050	Splitter Mtg. Bkt.
4005	3/8-16 X 1" Fil. Hd. Scr.	4051	Splitter Washer
4006	Cover Plate	4052	1/2-13 X 1-1/4" Hex Hd. Scr.
4007	Bearing	4053	Rear Trunnion Bkt.
4008	3/16 X 3/16 X 1-3/8" Key	4054	Arbor Nut
4009	Plug	4055	Saw Blade Flange
4010	Fiber Washer	4056	Arbor Extension
4011	Collar, Incl: 6012	4057	1/4 X 1/4 X 2-1/2" Key
4012	8 X 8mm Soc. Set Scr.	4058	Arbor w/Flange
4013	Tilting Mechanism Shaft, Incl: 6014, 6015,	4059	Spanner Nut
4014	Collar	4060	Bearing #5205
4015	Worm Gear	4061	Bearing Lock Nut
4016	1/4 X 1-1/2" Roll Pin	4062	Bearing #6204
4017	5/16-18 X 3/8" Rd. Hd. Scr.	4063	Bearing Lock Nut
4018	Pointer	4064	Arbor Pulley, (4 Belt Drive System, Incl: 6065)
4020	10-32 X 1-1/2" Fil. Hd. Scr.	4065	8 X 12mm Soc. Set Scr.
4021	Guide Block	4068	7/16-14 X 2" Hex Hd. Scr.
4022	3/8" Split Lockwasher	4069	7/16" Split Lockwasher
4023	3/8-24 X 1-1/4" Hex Hd. Scr.	4070	Arbor Brkt. Incl: 6068, 6069, 6059
4024	1/2"-13 Hex Nut	4071	Shaft
4025	1/2" Split Lockwasher	4072	1/2-13 X 1-1/2" Soc. Hd. Scr.
4026	Front Bracket	4073	Fiber Washer
4027	1/2-13 X 2" Hex Hd. Scr.	4074	Yoke
4028	1/2-13 X 1-1/2" Hex Hd. Scr.	4075	Spring Washer
4029	3/8 X 1-1/4" Roll Pin	4076	Motor Brkt.
4030	Front Trunnion, Incl: 6031	4077	10 X 12mm Soc. Set Scr.
4031	Bushing	4078	3/8-16 X 2-1/4 Hex Hd. Scr.
4032	3/8"-24 Hex Jam Nut	4079	Special Washer
4033	Spacer	4080	3/8 X 7/8 X 1/16" Washer
4034	Dust Deflecto	4081	3/8"-16 Hex Nut
4035	3/8-16 X 1-1/4" Hex Hd. Scr.	4082	Spanner Wrench
4036	Bearing	4083	Set of Four Matched V-Beits,
4037	Special Washer	4084	3-1/4" Dia. Motor Pulley Incl: 6085
4038	Spacing Sleeve	4085	8 X 12mm Soc. Set Scr.
4039	Raising Mec. Shaft, Incl: 6040, 6042, 6044	4086	Splitter Brkt. for Moving Type (Extra Part)
4040	Worm Gear	4087	5/16"-18 X 3/4" Soc. Hd. Cap Scr. (Extra Part)
4041	1/4 X 1-1/2" Roll Pin	4088	11/32" X 3/4" X 5/64" Special Washer (Extra Part)
4042	Collar, Incl: 6043	4089	Splitter, Moving Type for 12" Blade (Extra Part)
4043	8 X 8mm Soc. Set Scr.	4090	Splitter, Moving Type for 14" Blade (Extra Part)
4044	Fiber Washer	4091	5/16" Split Lockwasher (Extra Part)
4045	Rear Trunnion, Incl: 6046	4092	5/16"-18 X 3/4" Hex Hd. Scr. (Extra Part)
4046	Bushing		

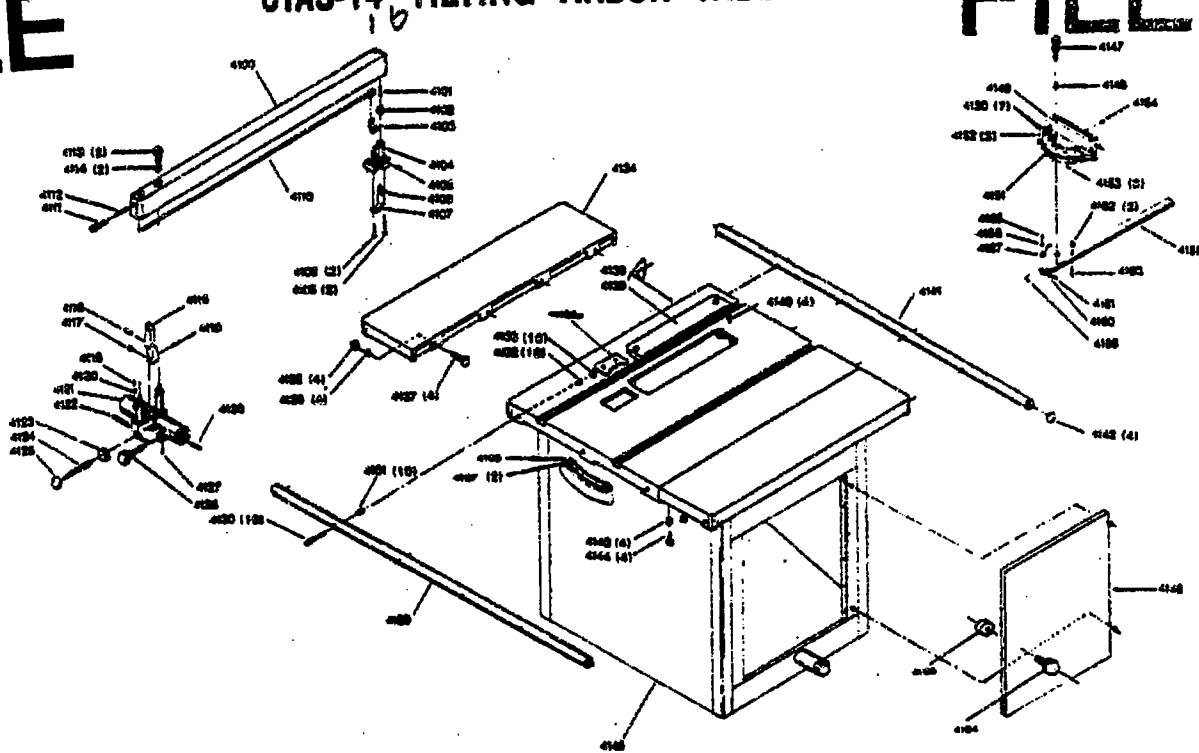
CTAS 1416

FILE

# FILE

## CTAS-14 TILTING ARBOR TABLE SAW

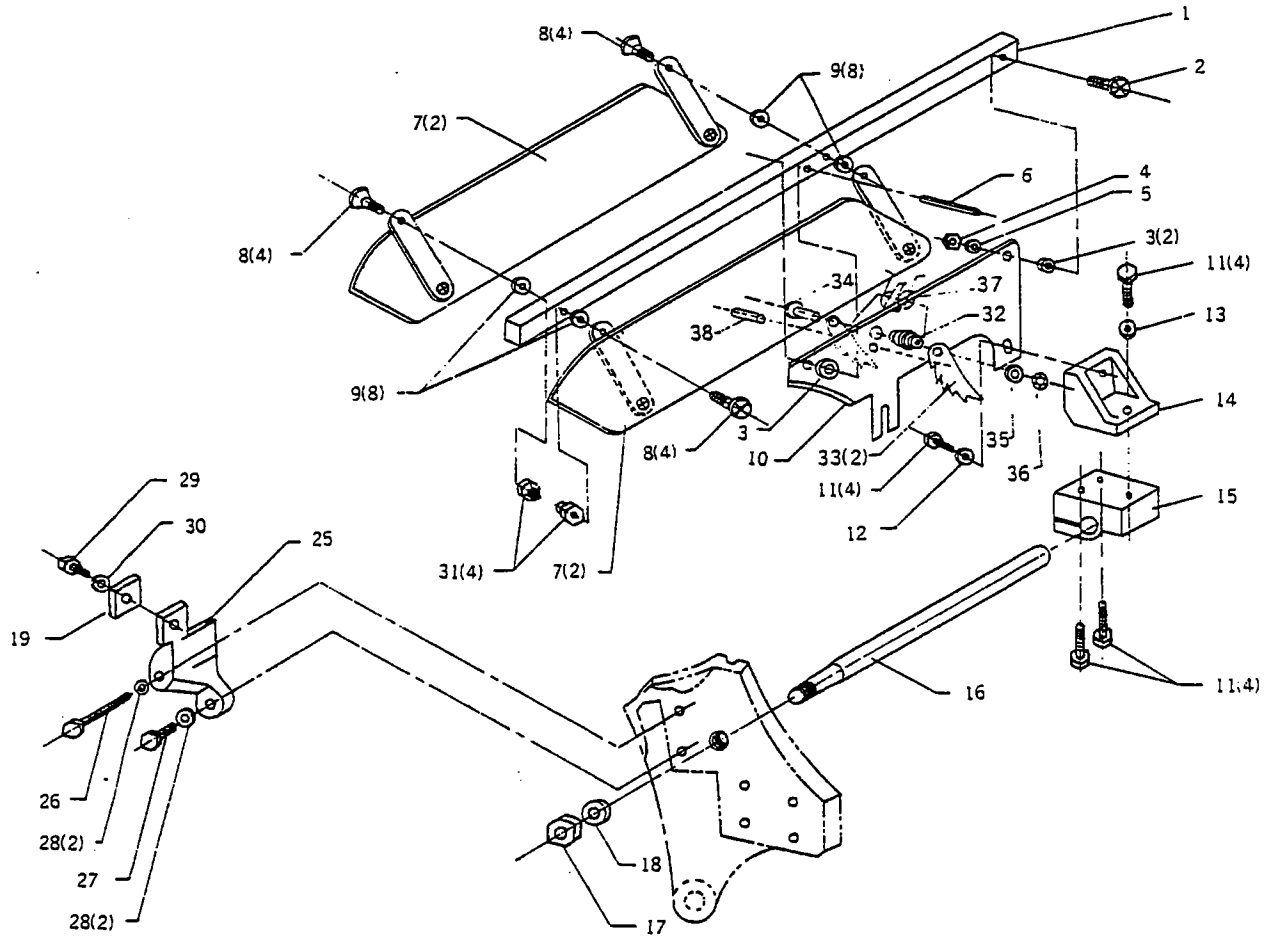
# FILE



Part No.	Description	Part No.	Description
4100	Fence Body	4134	Extension
4101	Spring	4135	1/2"-13 Hex Nut
4102	Spring Cap	4136	1/2" Split Lockwasher
4103	Lever	4137	1/2" -13 X 2-1/4" Hex Hd. Scr.
4104	Rear Clamp Block	4138A	Table for CTAS-14/16
4105	Pin	4139	Table Insert, for TAS-14/16, Incl:4140
4106	.195 X 31/64" Roll Pin	4140	6 X 12mm Headless Set Scr.
4107	Hook	4141	Rear Guide Rail
4108	1/4-20 X 1-1/2" Hex Soc. Cap Scr.	4142	Plug
4109	1/4-20 X 1-1/4" Hex Soc. Hd. Cap Scr.	4143	Spec. Washer
4110	Rear Clamp Rod	4144	1/2-13 X 1-1/4" Hex Hd. Scr.
4111	Adj. Sleeve	4145	Cabinet Ass'y.
4112	Coil Spring	4146	Door Ass'y.
4113	1/2"-13 Hex Hd. Scr.	4147	Lock Knob
4114	1/2" Split Lockwasher	4148	Fiber Washer
4115	Lever Ass'y., Incl:	4149	Miter Gage, Body Ass'y., Incl:
4116	Sleeve	4150	2 X 3/16" Drive Screw
4117	Pin	4151	Index Scale
4118	Spring	4152	10-32 X 1/4" Headless Set Scr.
4119	10-32 X 1/4" Rd. Hd. Scr.	4153	10-32 X 3/4" Headless Set Scr.
4120	Pointer	4154	1/4-28 X 5/8" Headless Set Scr.
4121	Frt. Clamp Block	4155	10-32 X 3/8" Rd. Hd. Scr.
4122	Steel Pin	4156	13/64 X 3/8 X 1/32" Washer
4123	Cam	4157	Pointer
4124	Stud	4158	Bar
4125	Slip on Knob.	4159	Stop Link
4126	Hand Knob	4160	3/32 X 1/2" Roll Pin
4127	10-32 X 3/8" Headless Set Scr.	4161	Groove Pin
4128	5/16 X 1-13/16" Steel Pin	4162	Shim Washer
4129	Frt. Guide Rail	4163	Pivot Scr.
4130	Spec. Screw	4164	Door Knob and Stud.
4131	Saddle Block	4165	Door Lock Cam
4132	7/16" Split Lockwasher	4166	Indicator Scale
4133	7/16" -14 Hex Nut	4167	Self Tapping Screw

# BLADE GUARD (STD. TYPE) CTAS-14, 16

# FILE



Ref No.	Fig No.	Description	Ref No.	Fig No.	Description
4351A	*	Splitter & Guard Ass'y. for CTAS-14	4367	17	Hex. Nut 5/8"-18
4351	1	Guard Bracket Bar	4368	18	Lockwasher 5. 8"
4352	2	1/4-20x3/4" Rd. Hd. Mach. Scr.	4369	19	Plate
4353	3	1/4x5/8x3/8" Liner	6375	25	Bracket for CTAS-14/16
4354	4	1/4-20 Hex Nut.	4376	26	5/16"-18x3" Hex. Hd. Cap Scr.
4355	5	1/4" Split Lockwasher	4377	27	5/16-18x1" Hex. Hd. Cap Scr.
4356	6	1/4" x 1-5/8" Roll pin	4378	28	5/16x3/4x1.16" Plain Washer
6357	7	See-Thru Guard with Hanger Plate for CTAS-14/16	4379	29	5/16-18x3.4" Hex. Hd. Cap Scr.
4358	8	1/4-20x1/2" Flat Hd. Mach. Scr.	4380	30	5/16x3.4x1.16" Plain Washer
4359	9	1/4x11.16x1.16" Plain Washer	4381	31	1/4" Nylon Locknut
6360	10	Splitter for CTAS-14/16	4382	32	Sleeve
4361	11	5/16-18x7/8" Hex. Hd. Scr.	4383	33	Kick-Back Fingers
4362	12	5/16x3/4x1.16" Plain Washer	4384	34	Pin
4363	13	5/16" Split Lockwasher	4385	35	3 16" x 7 16" x 1 16" Plain Washer
4364	14	Bracket	4386	36	Push Nut
4365	15	Bracket	4387	37	Spring
4366	16	Shaft	4388	38	5 32" x 11.16" Roll Pin